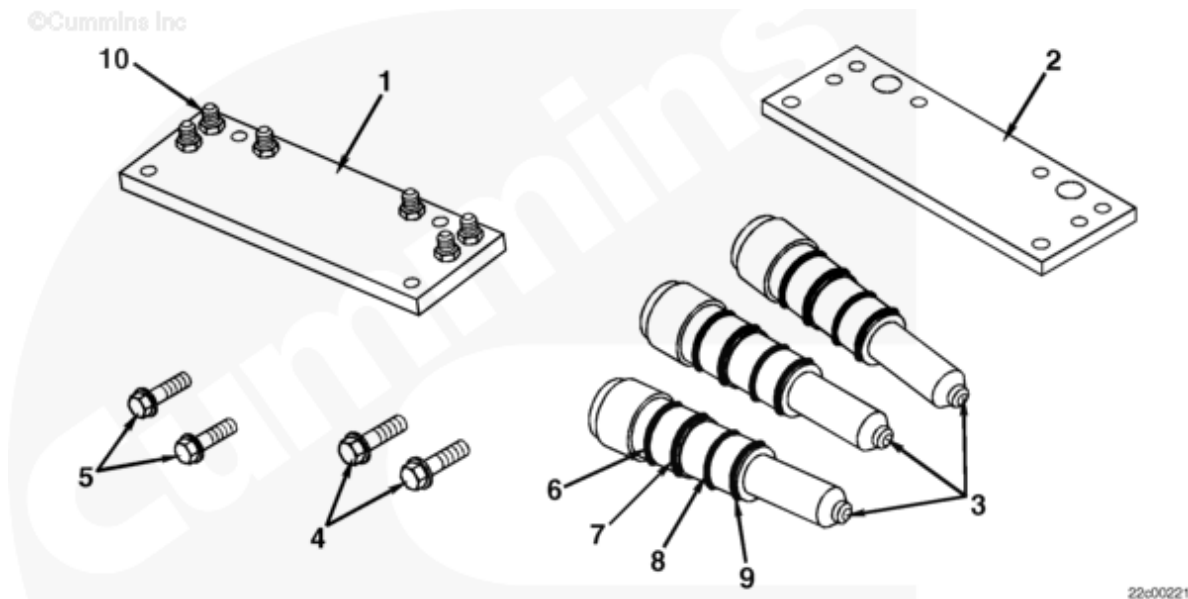


# Tool 3164943

## Cylinder Head Fuel Passage Leak Test Kit



### Engine Family: Signature, ISX, ISX W/CM870 & QSX15

This kit is used to test the fuel passages in the cylinder head.

Ref. No.	Part No.	Description
1	3164945	Plate
2	3164946	Gasket
3	3164923	Injector cavity plug
4	3089232	Hexagon flange head capscrew (long)
5	3089016	Hexagon flange head capscrew (short)
6	3330537	O-ring seal
7	3330538	O-ring seal
8	3347937	O-ring seal
9	3347939	O-ring seal
10	68138	Male connector

**NOTE:** The following items are used with the Cylinder Head Fuel Passage Leak Test Kit, Purchased Separately.

Not shown	3164231	Leak test kit
-----------	---------	---------------

---

**Last Modified: 29-Mar-2004**

---